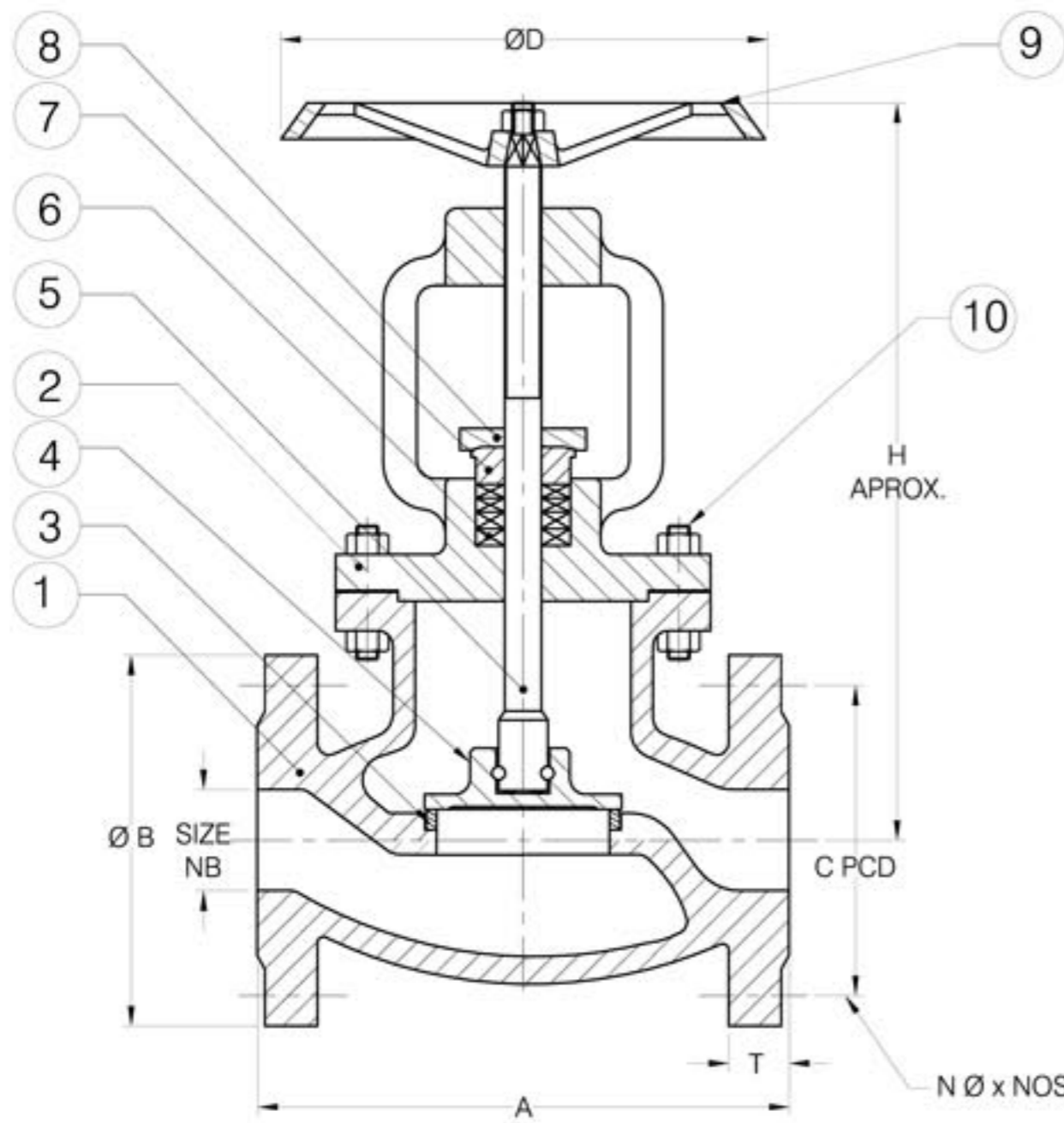



SIZE	A	B	C	D	T	H
2"	203	Ø 152	Ø 120	Ø 203	16	330
2 ½"	216	Ø 178	Ø 140	Ø 203	17.5	334
3"	242	Ø 190.5	Ø 152.4	Ø 254	19	395
4"	292	Ø 229	Ø 190.5	Ø 305	23.8	470
5"	356	Ø 254	Ø 216	Ø 305	23.8	510
6"	407	Ø 280	Ø 241.3	Ø 356	25.4	570
8"	496	Ø 343	Ø 298.5	Ø 406	28.6	642
10"	623	Ø 406.4	Ø 362	Ø 406	30	768
12"	699	Ø 483	Ø 431.8	Ø 508	32	770



Test. Pressure (Kg / Cm ²) 150 #	
BODY	32 Kg / Cm ²
SEAT	22 Kg / Cm ²

10	NUT & BOLT	ASTM - A - 193 - Gr B7 & 2 H
9	HAND WHEEL	CAST IRON / FABRICATED
8	GLAND PLATE	CAST STEEL
7	GLAND BUSH	S. S. 410
6	GLAND PACKING	PURE GRAPHITE
5	SPINDLE	S. S. 410
4	DISC	S.S. 410
3	SEAT RING	S.S. 410
2	BONNET	ASTM - A - 216 - GR - WCB
1	BODY	
Sr. No.	DESCRIPTION	MATERIAL

ALL DIMENSIONS ARE IN mm	SCALE : N.T.S.	MATERIAL :- SEE TABE	
 DALSONS VALVES D-58 M.I.D.C. Miraj Block, MIRAJ - 416410. Dist.Sangli (M.S.)	DRN	N.H.	GENERAL ARRAGEMENT OF GLOBE VALVE 150 #
	CHD	A.R.D.	
	APPD	R.E.D.	DRG. No.DV / Globe / Sales / 150 / 02
SHEET : 1 OF 1		DATE :- 01/04/2014	