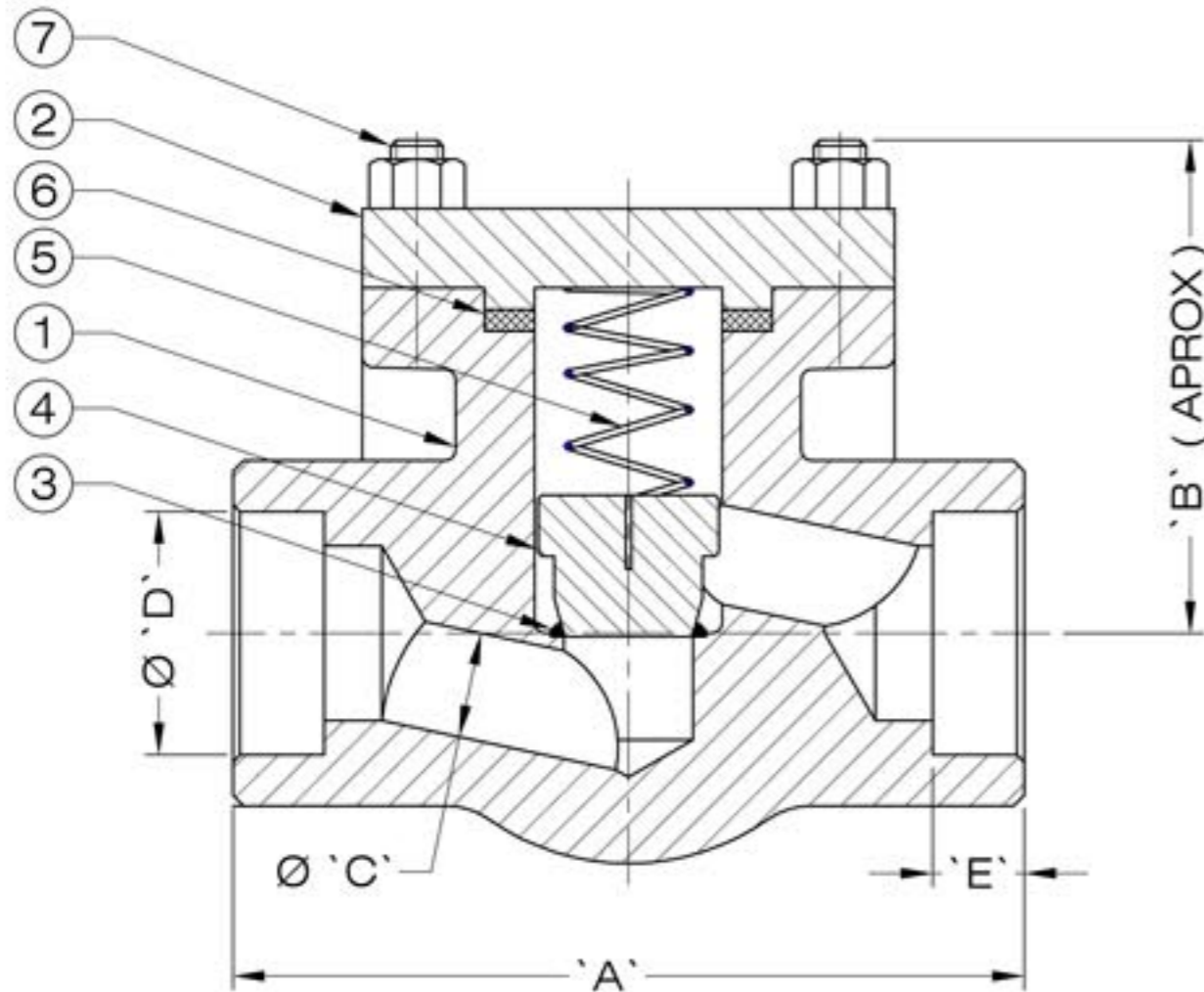


G. A. DRG.

SPECIFICATION STANDARDS		TEST PRESSURE (Kg / Cm <sup>2</sup> ) 800 #		
P.T. RATING	ASME B 16.34		HYDROSTATIC	AIR
ENDS	ANSI B 16.11	BODY	211	---
TEST & INSPECTION	API 598	SEAT	141	6

Wt. (Kg)	SIZE	'A'	'B'	'C'	'D'	'E'
1.7	1/4"	88	57	6.4	14.1	9.7
1.7	3/8"	88	57	6.4	17.5	9.7
1.62	1/2"	88	57	9.5	21.7	9.7
2.03	3/4"	92	65	12.7	27.1	12.7
2.67	1"	106	72	18	33.8	12.7
6.0	1 1/4"	128	109	24	42.6	12.7
6.2	1 1/2"	128	109	25	48.7	12.7
8.9	2"	140	112	30	61.1	15.8

Note :- Valve Mounting Dimensions



7	BOLT / STUD NUT	Steel IS : 1367 cl.8.8/A 194 Gr. 2H/ 8
6	GASKET	PURE GRAPHITE
5	SPRING	SPING / SS -316
4	STOPPER	SS - 410
3	SEAT RING	SS - 410
2	COVER	ASTM - A - 105
1	BODY	
No.	DESCRIPTION	MATERIAL

PART LIST OF LIFT CHECK VALVE



**Dalsons Valves**

D - 58, MIDC MIRAJ BLOCK MIRAJ  
DIST - SANGLI ( M.S. ) INDIA

DRAWN	L.B.G.
CHKD.	A.R.D.
APPD.	R. E.D.
SCALE	N.T.S.
DATE	25.02.2011

TITLE :- **800 #  
LIFT CHECK VALVE  
( SOCKET WELD ENDS )**

STANDARD	API 602
----------	---------

NOTE:- ALL DIMENSIONS ARE IN mm



DRG. No. DV / LCV / FS / 800 / 03

NOTES :-

1. ALL DIMENSIONS ARE IN mm
2. DIMENSIONS 'A' AS PER MANUFACTURES STD.
3. SCREED ENDS TO BSP.BST AS PER DESIGN BS:21/ IS :554  
SCREWED ENDS TO NPT AS PER DESIGN ANSI 1.20.1
4. BUTT WELD ENDS TO ANSI B 16.25 SCH. 40-80-160